

LEISTER Minor High Pressure Blower



Please read operating instructions carefully before use and keep for further reference.

APPLICATION

- The LEISTER Blower «Minor» is suitable for building into machines, installations and appliances. Because of its low weight, the blower can also be used as mobile air supply.
- Air supply for LEISTER Hot Air tools and Hot Air pistols, for intake air supply and for cooling.
- It is suitable for delivering air, non combustible, non corrosive and non explosive gases.

UNINTENDED USE

Any other use of the MINOR or any use beyond the type of use described is deemed improper use.



Mitgeltende Dokumente / Other applicable documents / Documents annexes / Documentación válida / Documentos relacionados / Altri documenti applicabili / Bijbehorende documenten / Yderligere relevante dokumenter / Kompletterende dokument / Andre gjeldende dokumenter / Muut sovellettavat asiakirjat / λογότυπα έγγραφα / Beraberindeki dokümanlar / Dokumenty wspólobowiażujące / Mellékelt dokumentumok / Další platné dokumenty / Ostali veljavni dokumenti / Documente aplicabile ulterioare / Další platné dokumenty / Съвместно приложими документи / Kaaskehtivad dokumendid / Taikomi dokumentai / Saistītie dokumenti / Применимые документы / 関連文書 / 随附的文件 / ذي عرجملا قى ائشول / เอกสารที่ใช้ร่วมกัน / 유효한 문서 / लागू दस्तावेज़

- DE** Safety Instructions – Hand Tools (Artikelnummer: 129.099)
- EN** Safety Instructions – Hand Tools (Article number: 129.099)
- IT** Safety Instructions – Hand Tools (codice articolo: 129.099)
- FR** Safety Instructions – Hand Tools (numéro d'article: 129.099)
- ES** Safety Instructions – Hand Tools (número de artículo: 129.099)
- PT** Safety Instructions – Hand Tools (número de artigo: 129.099)
- NL** Safety Instructions – Hand Tools (artikelnummer: 129.099)
- DA** Safety Instructions – Hand Tools (artikelnummer: 129.099)
- NO** Safety Instructions – Hand Tools (artikkelnummer: 129.099)
- FI** Safety Instructions – Hand Tools (tuotenumero: 129.099)
- SV** Safety Instructions – Hand Tools (artikelnummer: 129.099)
- EL** Safety Instructions – Hand Tools (κωδικός προϊόντος: 129.099)
- TR** Safety Instructions – Hand Tools (Ürün No.: 129.099)
- PL** Safety Instructions – Hand Tools (numer artykułu: 129.099)
- HU** Safety Instructions – Hand Tools (cikkszám: 129.099)
- CS** Safety Instructions – Hand Tools (číslo výrobku: 129.099)
- SL** Safety Instructions – Hand Tools (številka artikla: 129.099)
- RO** Safety Instructions – Hand Tools (număr articol: 129.099)
- SK** Safety Instructions – Hand Tools (číslo položky: 129.099)
- BG** Safety Instructions – Hand Tools (номер на артикул: 129.099)
- ET** Safety Instructions – Hand Tools (Artikli number: 129.099)
- LT** Safety Instructions – Hand Tools (gaminio numeris: 129.099)
- LV** Safety Instructions – Hand Tools (artikula Nr.: 129.099)
- RU** Safety Instructions – Hand Tools (артикульный номер: 129.099)
- SQ** Safety Instructions – Hand Tools (Numri i artikullit: 129.099)
- HR** Safety Instructions – Hand Tools (broj artikla: 129.099)
- SR** Safety Instructions – Hand Tools (Broj artikla: 129.099)
- MK** Safety Instructions – Hand Tools (Арт. број: 129.099)
- UK** Safety Instructions – Hand Tools (каталожний номер: 129.099)
- HY** Safety Instructions – Hand Tools (արտիկլի թիվ՝ 129.099)
- TH** Safety Instructions – Hand Tools (หมายเลขสินค้า: 129.099)
- ZH** Safety Instructions – Hand Tools (产品编号: 129.099)
- JA** Safety Instructions – Hand Tools (品番: 129.099)
- MN** Safety Instructions – Hand Tools (Техөөрөмжийн дугаар: 129.099)
- AR** Safety Instructions – Hand Tools (رقم الصنف: 129.102)
- FA** Safety Instructions – Hand Tools (شماره قطعه: 129.099)
- KO** Safety Instructions – Hand Tools (제품 번호: 129.099)
- HI** Safety Instructions – Hand Tools (लेख संख्या: 129.099)



www.leister.com/um-si-handtools





WARNING



Hazardous electrical voltage

Life-threatening electric shock possible. Protect the device from moisture and wet conditions. Prior to commissioning, check the power cord, the plug, and the extension cable for electrical and mechanical damage. Pull the mains plug from the outlet before opening the device.



CAUTION



The **voltage rating** stated on the tool should correspond to the mains voltage.



For personal protection, **we strongly recommend** the tool be connected to an **RCCB (Residual Current Circuit Breaker) / GFCI (Ground Fault Circuit Interrupter)** before using it on building sites.

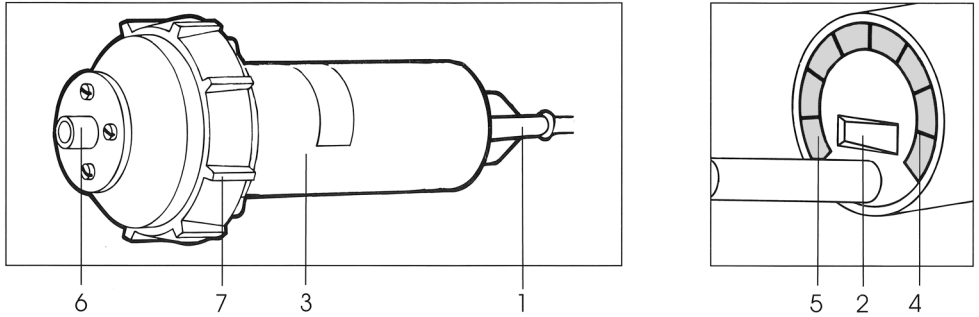
TECHNICAL DATA

Electrical safety:  double insulated

Design		radial compressor	
Voltage	V~	120, 230	Mains voltage cannot be switched over
Capacity	W	100	
Frequency	Hz	50/60	
Air flow	l/min.	max. 400 (manual air slide)	
Static pressure	Pa	5000	
Noise level	dB (A)	67	
Diameter of air outlet (external Ø)	mm	14,5	
Ambient temperature	°C	<60	
Weight	kg	1,2 with 3 m cord	
Size (LxBxH)	mm	250 x 95	

100 Pa = 1 mbar

Description of tool



1. Cord to mains
2. On/off switch
3. Handle
4. Air slide
5. Air filter
6. Air outlet/hose
connection \varnothing 14,5 mm
7. Rubber stand

Operation

- **Connect air hose to air outlet (6)** with a clamp or screw band. If possible use short hoses to prevent loss of air flow.
- Connect tool to the mains.
- **Switch on (2).**
- Reduce air flow as required by use of the **air slide (4)**.
- The blower should only take in air at $< 60^{\circ}\text{C}$.

MAINTENANCE

- The tool's **air filter (5)** should be cleaned with a fine brush.

CONFORMITY

EU Declaration of Conformity

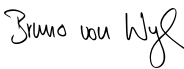
Leister Technologies AG, Galileo-Strasse 10, 6056 Kaegiswil, Switzerland confirms that this product in the version put into circulation by us, fulfils the requirements of the following EU directives.

Directives: 2006/42/EC, 2014/30/EU, 2011/65/EU

Harmonized EN ISO 12100, EN 60335-1, EN 60335-2-45, EN 62233, EN 55014-1, ,

Standards: EN 55014-2, EN 61000-3-2, EN 61000-3-3, EN 61000-6-2, EN IEC 63000

Kaegiswil, 14/04/2021



Bruno von Wyl, CTO



Christoph Baumgartner, GM

UK Declaration of Conformity

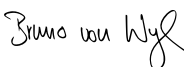
Leister Technologies AG, Galileo-Strasse 10, 6056 Kaegiswil, Switzerland confirms that this product in the version put into circulation by us, fulfils the requirements of the following UK Statutory Instruments.

Directives: 2008 No. 1597, 2016 No. 1091, 2012 No. 3032

Harmonized BS EN ISO 12100, BS EN 60335-1, BS EN 60335-2-45, BS EN 62233, BS EN 55014-1,

Standards: BS EN 55014-2, BS EN 61000-3-2, BS EN 61000-3-3, BS EN 61000-6-2, BS EN IEC 63000

Kaegiswil, 24/03/2021



Bruno von Wyl, CTO



Christoph Baumgartner, GM

SERVICE AND REPAIR

- The carbon brushes in the motor should be checked by your Service Centre after about 1000 hours running time.
- Repairs should only be carried out by authorised Leister Service Centres. They guarantee a specialised and reliable Repair Service within 24 hours using original spare parts lists.

GUARANTEE AND LIABILITY

- Guarantee and liability are in accordance with the guarantee certificate as well as with the currently valid general business and sales conditions.
- LEISTER Process Technologies rejects any guarantee claims for tools which are not in their original condition. The tools must never be altered or changed.

Technical data and specifications are subject to change without prior notice.

Your authorised Service Centre is: