

LEISTER LABOR S

Hot-Air Pistol



Read operating instructions carefully before use and keep it for further reference.

APPLICATION

- The LEISTER Hot Air Pistol LABOR S is a hand tool.
- **Soldering and de-soldering** of SMD and thru-hole components.
- **Welding** of thermoplastic materials and also single-ply flexible plastics and modified bitumen in the form of boards, tubes, profiles, lining membranes, coated materials, films, foams, tiles and sheets. The following procedures are possible: overlap welding, welding with rod, with tape, tack welding and melt welding.
- **Shrinking** of heat shrink sleeves, films, tapes, solder sleeves and moulded parts.
- **Activating/loosening** solvent free adhesives and melt adhesives.
- **Drying** of water-damp surfaces.

UNINTENDED USE

Any other use of the LABOR S or any use beyond the type of use described is deemed improper use.



Mitgeltende Dokumente / Other applicable documents / Documents annexes / Documentación válida / Documentos relacionados / Altri documenti applicabili / Bijbehorende documenten / Yderligere relevante dokumenter / Kompletterande dokument / Andre gjeldende dokumenter / Muut sovellettavat asiakirjat / λογότυπα έγγραφα / Beraberindeki dokümanlar / Dokumenty wespółobowiązujące / Mellékelt dokumentumok / Další platné dokumenty / Ostali veljavni dokumenti / Documente aplicabile ulterioare / Další platné dokumenty / Съвместно приложими документи / Kaaskehtivad dokumendid / Taikomi dokumentid / Saistītie dokumenti / Применимые документы / 関連文書 / 随附的文件 / ذي عرجملا قى ائشول / เอกสารที่ใช้ร่วมกัน / 유효한 문서 / लागू दस्तावेज़

- DE** Safety Instructions – Hand Tools (Artikelnummer: 129.099)
- EN** Safety Instructions – Hand Tools (Article number: 129.099)
- IT** Safety Instructions – Hand Tools (codice articolo: 129.099)
- FR** Safety Instructions – Hand Tools (numéro d'article: 129.099)
- ES** Safety Instructions – Hand Tools (número de artículo: 129.099)
- PT** Safety Instructions – Hand Tools (número de artigo: 129.099)
- NL** Safety Instructions – Hand Tools (artikelnummer: 129.099)
- DA** Safety Instructions – Hand Tools (artikelnummer: 129.099)
- NO** Safety Instructions – Hand Tools (artikkelnummer: 129.099)
- FI** Safety Instructions – Hand Tools (tuotenumero: 129.099)
- SV** Safety Instructions – Hand Tools (artikelnummer: 129.099)
- EL** Safety Instructions – Hand Tools (κωδικός προϊόντος: 129.099)
- TR** Safety Instructions – Hand Tools (Ürün No.: 129.099)
- PL** Safety Instructions – Hand Tools (numer artykułu: 129.099)
- HU** Safety Instructions – Hand Tools (cikkszám: 129.099)
- CS** Safety Instructions – Hand Tools (číslo výrobku: 129.099)
- SL** Safety Instructions – Hand Tools (številka artikla: 129.099)
- RO** Safety Instructions – Hand Tools (număr articol: 129.099)
- SK** Safety Instructions – Hand Tools (číslo položky: 129.099)
- BG** Safety Instructions – Hand Tools (номер на артикул: 129.099)
- ET** Safety Instructions – Hand Tools (Artikli number: 129.099)
- LT** Safety Instructions – Hand Tools (gaminio numeris: 129.099)
- LV** Safety Instructions – Hand Tools (artikula Nr.: 129.099)
- RU** Safety Instructions – Hand Tools (артикульный номер: 129.099)
- SQ** Safety Instructions – Hand Tools (Numri i artikullit: 129.099)
- HR** Safety Instructions – Hand Tools (broj artikla: 129.099)
- SR** Safety Instructions – Hand Tools (Broj artikla: 129.099)
- MK** Safety Instructions – Hand Tools (Арт. број: 129.099)
- UK** Safety Instructions – Hand Tools (каталожний номер: 129.099)
- HY** Safety Instructions – Hand Tools (արտիկլի թիվ՝ 129.099)
- TH** Safety Instructions – Hand Tools (หมายเลขสินค้า: 129.099)
- ZH** Safety Instructions – Hand Tools (产品编号: 129.099)
- JA** Safety Instructions – Hand Tools (品番: 129.099)
- MN** Safety Instructions – Hand Tools (Техөөрөмжийн дугаар: 129.099)
- AR** Safety Instructions – Hand Tools (رقم الصنف: 129.102)
- FA** Safety Instructions – Hand Tools (شماره قطعه: 129.099)
- KO** Safety Instructions – Hand Tools (제품 번호: 129.099)
- HI** Safety Instructions – Hand Tools (लेख संख्या: 129.099)



www.leister.com/um-si-handtools





WARNING



Hazardous electrical voltage

Life-threatening electric shock possible. Protect the device from moisture and wet conditions. Prior to commissioning, check the power cord, the plug, and the extension cable for electrical and mechanical damage. Pull the mains plug from the outlet before opening the device. Unplug the tool before opening it.



Incorrect use of hot air blowers can cause **fire and explosion hazard**, especially near combustible materials and explosive gases. Do not touch hot nozzle and make sure to put it only on a heat resistant surface, because of the fire hazard.



Do not touch the element housing and nozzle when they are hot as they can cause **burns**. Let the tool cool down. Do not point hot air flow in the direction of people or animals.



CAUTION



The **voltage rating** stated on the tool must correspond to the line/mains voltage.



For personal protection on building sites we **strongly recommend** the tool be connected to a **GFCI** (Ground Fault Circuit Interrupter) or a **RCCB** (Residual Current Circuit Breaker).



The tool must be operated **with supervision**. Warmth can reach combustible materials, which are out of sight.

Electrical safety: **DOUBLE INSULATED**

TECHNICAL DATA

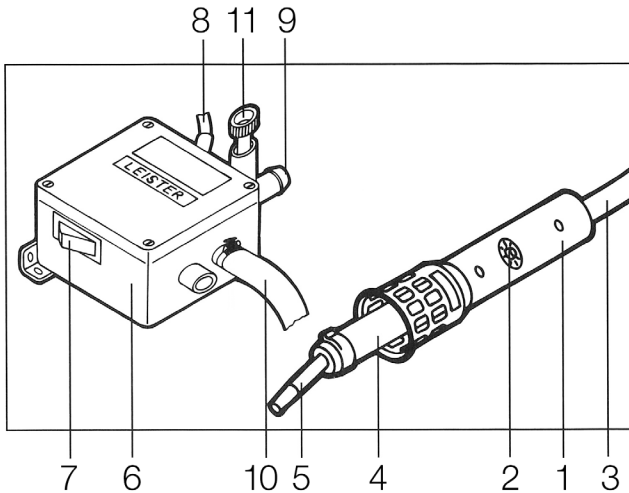
Voltage	V~
Power consumption	W
Frequency	Hz
Temperature	°C
Air flow	l/min.
Air pressure	mbar
Weight	g
Weight	kg
Size	mm
Size	mm

Mains connection box

	120, 230 *
	600, 800
	50/60
	20 – 600
	80 min.
	500 max.
	150 pistol
	1,1 complete
	Ø 40 x 180 pistol
	89 x130 x 56 mains connection box

* mains voltage cannot be switched over

Description of the tool



Pistol

- 1. Handle
- 2. Potentiometer for temperature adjustment
- 3. Air hose
- 4. Tapered element housing
- 5. Nozzle

Version with mains connection box

- 6. Mains connection box
- 7. On/off switch
- 8. Cable to mains
- 9. Air connection (input)
- 10. Air and power supply for pistol
- 11. Air flow reduction screw

Operating Condition

- Connect **mains connection box (6)** to the air supply. Use LEISTER blower or compressed air at reduced pressure.
- As required, push fit appropriate **nozzle (5)**.
- The air flow is steplessly adjustable by use of the **reduction screw (11)**.
- Connect tool to the mains.
- **Switch on (7)** tool.
- The hot air temperature is steplessly adjustable by use of red **potentiometer (2)**.
- Allow tool to warm up for about 5 minutes.

Change of nozzles

- Before changing nozzles, allow the tool to cool down, or use only combination pliers.
- Do not touch hot **nozzle (5)** and make sure to put it only on a heat resistant surface, because of the **fire hazard**.
- The nozzles are easily pushed onto the tapered **element housing (4)** and are then secured by fastening the screw on the clamp.
- Only LEISTER nozzles should be used.

ACCESSORIES

- Use only LEISTER accessories.

MAINTENANCE

- Clean the **welding nozzle (5)** with a wire brush.

CONFORMITY

EU Declaration of Conformity

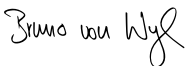
Leister Technologies AG, Galileo-Strasse 10, 6056 Kaegiswil, Switzerland confirms that this product in the version put into circulation by us, fulfils the requirements of the following EU directives.

Directives: 2006/42/EC, 2014/30/EU, 2011/65/EU

Harmonized EN ISO 12100, EN 60335-1, EN 60335-2-45, EN 62233, EN 55014-1, EN 55014-2,

Standards: EN 61000-3-2, EN 61000-3-3, EN IEC 63000

Kaegiswil, 15/04/2021



Bruno von Wyl, CTO



Christoph Baumgartner, GM

UK Declaration of Conformity

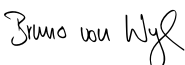
Leister Technologies AG, Galileo-Strasse 10, 6056 Kaegiswil, Switzerland confirms that this product in the version put into circulation by us, fulfils the requirements of the following UK Statutory Instruments.

Directives: 2008 No. 1597, 2016 No. 1091, 2012 No. 3032

Harmonized BS EN ISO 12100, BS EN 60335-1, BS EN 60335-2-45, BS EN 62233, BS EN 55014-1,

Standards: BS EN 55014-2, BS EN 61000-3-2, BS EN 61000-3-3, BS EN IEC 63000

Kaegiswil, 01/04/2021



Bruno von Wyl, CTO



Christoph Baumgartner, GM

SERVICE AND REPAIRS

- Repairs should only be carried out by authorised **LEISTER Service Centres**. They guarantee a specialised and reliable **Repair Service within 24 hours** using original spare parts lists.

GUARANTEE AND LIABILITY

- Guarantee and liability are in accordance with the guarantee certificate as well as with the currently valid general business and sales conditions.
- LEISTER Technologies AG rejects any guarantee claims for tools which are not in their original condition. The tools must never be altered or changed.

Technical data and specifications are subject to change without prior notice.

Your authorised Service Centre is: